



XMR303

LIGHT COMPACTION EQUIPMENT

轻型压实设备

XMR303 is a light vibratory roller with operating weight of 3 tons. This machine is suitable for surface and edge compaction construction for asphalt engineering, cement engineering and so on, also suitable for sub-base and base, sand and gravel material compaction work, is the idealist compaction machinery for all sorts of parking lot construction, road, sidewalks and bikeway compaction, as well as a variety of road maintenance engineering.

XMR303是工作质量为3吨的轻型振动压路机。该机适用于沥青工程、水泥工程等表层压实和路缘的压实作业，也适合于底基层和基层，砂土和砾石材料的压实作业，是各种停车场施工，车行道、人行道和自行车道压实以及各种道路维修保养工程中最理想的压实机械。

Performance Characteristics / 性能特点

- Closed hydraulic drive system is adopted to realize stepless speed change.
- Brake system uses the neutral position braking, emergency braking and parking brake, short braking distance and high braking torque, ensuring the safety of the product.
- The front vision of machine is less than 1 x 0.75 m, rear view without any shade, which provides drivers with a good sight range.
- The vibration system can realize the simultaneous vibration and independent vibration of the rear and front drum, and meets the different working conditions.
- High frequency vibration and excitation force design, high working efficiency, good compaction effect.
- Vibration drum width is larger than frame width, convenient to observe compaction condition of drum edge in the construction.
- Large ground clearance and curb clearance, strong trafficability, good edge compaction performance.
- This machine has also the air intake preheating function, can realize low temperature cold start.
- Changchai water-cooled turbocharged engine, in compliance with China Stage III emission requirements, allowing machine working normally in the environment at an altitude of 2000 meters and temperature above -20 °C.
- 采用闭式液压驱动系统,可实现无级变速。
- 制动系统采用中位制动、紧急制动和停车制动三级制动,制动距离短,制动力矩大,保证产品行驶的安全性。
- 整机前视野小于1×0.75m,而后视野无任何遮挡,给驾驶人员提供了良好的视线范围。
- 振动系统实现前后钢轮的同时振动、分别振动和静碾,满足不同的工况需求。
- 高频振动及激振力设计,工作效率高,压实效果好。
- 振动轮宽度大于车架宽度,方便施工中观察轮边压实情况。
- 超大离地间隙和路缘间隙,产品通过性强,贴边压实性能好。
- 整机带有进气预热功能,可实现低温冷启动。
- 动力采用常柴水冷三缸柴油机,满足国III排放要求,可在海拔高度2000米以下,温度-20℃以上的环境中正常工作。



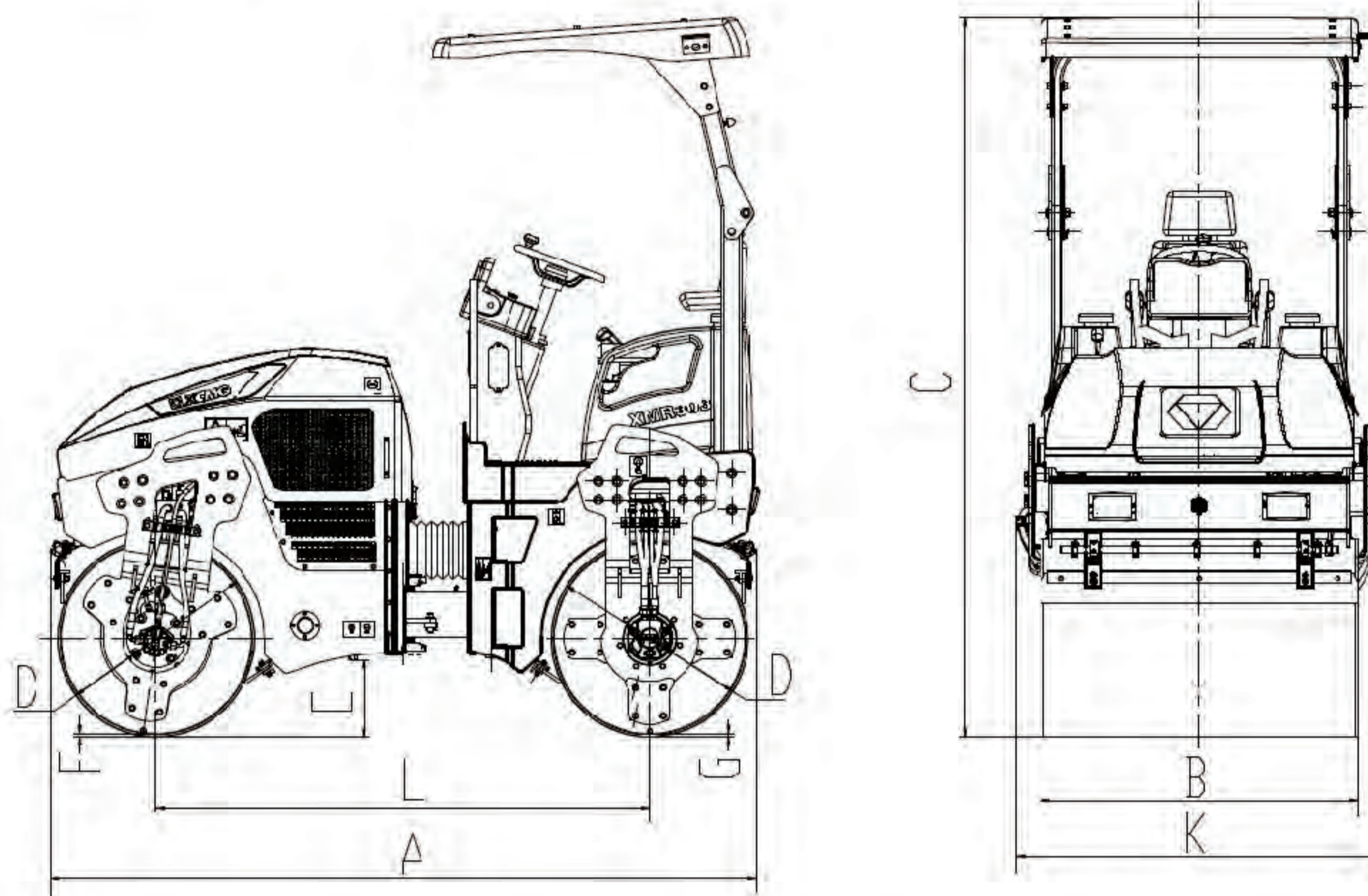
XMR303

LIGHT COMPACTION EQUIPMENT

轻型压实设备

Main Dimensions

主要尺寸



Dimension 尺寸 (mm)	A	B	C	D	E	F	G	K	L
XMR303	2682	1200	2722	746	290	12	12	1328	1870

Main Specifications

主要技术参数

Item	项目	单位 Unit	XMR303
Operating mass	工作质量	kg	3000
Static linear load (front drum/rear drum)	静线载荷(前轮/后轮)	N/cm	129/129
Vibrational frequency	振动频率	Hz	60
Amplitude	振幅	mm	0.46
Exciting force	激振力	kN	32
Vibrating drum (Diameter x width)	振动轮 (直径 x 宽)	mm	746 x 1200
Theoretical gradeability	理论爬坡能力		30%
Operating speed	工作速度	km/h	0~9.5
Wheel base	轴距	mm	1870
Steering angle	转向角		±30°
Swing angle	摇摆角		±10°
Minimum turning radius	最小转弯半径	mm	2990/4190
Minimum ground clearance	最小离地间隙	mm	290
Engine type	发动机型号		ZN390B
Rated power	额定功率	kW	28.5
Rated speed	额定转速	r/min	2600